

## Powerful Safety Electronic Control Unit – TTC 2385

### General description

The robust and powerful TTC 2385 mid-sized electronic control solution is equipped with Infineon's TriCore™ Aurix™ TC 377 CPU to fulfill the demanding performance requirements of off-highway and automotive safety applications.

Protected by a compact and robust housing, the device was especially developed for vehicles and machines used in a rugged operating environment and at extreme operating temperatures. Due to the ISO 26262 ASIL C automotive safety certification, the device is also used in road vehicles.

### Specifications

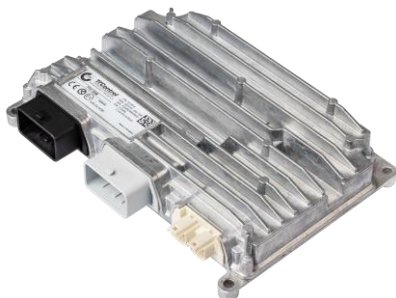
Parameter		Unit
ECU dimensions	170.6 x 232.0 x 42.0	mm
Dimensions for minimum connector release clearance	70.0 x 182.0 x 50.0	mm
Weight	1215	g
Connector	2 x 48-pin + 1 x 2-slot HSD	
Operating temperature	-40 to +85	°C
Operating altitude	0 to 4000	m
Supply voltage	8 to 32	V
Maximum supply current at 12 / 24V without load	200 / 130	mA
Maximum standby current	<1	mA
Maximum total load current	45	A

### Standards

Functional safety	IEC 61508 SIL2 EN ISO 13849 PL d ISO 25119 AgPL d SRL2	ISO 26262 ASIL C ISO 19014 MPL d
CE	2014/30/EU 2011/65/EU	2006/42/EC
UKCA	SI 2016 no.1091 SI 2012 no. 2032	SI 2008 no.1597
E-Mark	ECE-R10 Rev.6	
FCC	47 CFR Part 15B, Class A	
EMC	EN 13766 ISO 14982 CISPR 25	IEC 61000-4-2/-3/-4/-5/-6/-8 IEC 61000-6-4
ESD	ISO 10605	
Electrical	ISO 16750-2 ISO 7637-2,-3	
Ingress protection	EN 60529 IP65 and IP67 ISO 20653 IP6k9k	
Climatic	ISO 16750-4	
Mechanical	ISO 16750-3	
ISOBUS	ISO 11783	

### Software

- C Programming Environment with real-time operating system
- CODESYS® Safety SIL 2 including support for CANopen® Safety Master



### Features

#### CPU core

- 32-Bit Infineon TriCore™ Aurix™ TC 377
- 3 cores (2 lockstep cores) running at 300 MHz and memory protection for safety-relevant applications
- Floating-Point Unit
- Hardware Security Module\*
- 992 KB int. SRAM, 6 MB int. Flash
- 16 MB ext. Flash, 256 KB int. EEPROM emulation

#### Interfaces

- 4 x CAN FD 50 kbit/s up to 2 Mbit/s (1 x CAN with wake-up capability and 1 x CAN ISOBUS)
- 1 x CAN bus termination configurable via connector pins
- 2 x 100BASE-TX (internal configurable Ethernet switch)\*
- 4 x SENT (with SPCsupport\*), 1 x LIN

#### Outputs

- 18 x PWM OUT up to 1 kHz or digital OUT, up to 4 A (2 x up to 8 A), high side, with current measurement alternative use as digital timer IN\* (0.1 Hz - 20 kHz), or analog IN 12 bit, 0 - 32 V or LED control OUT\*
- 10 x digital OUT up to 4 A, high side, current sense alternative use as PVG OUT, 10 - 90% of BAT+ or 4 x as voltage OUT 0 - 10 V or LED control OUT or analog IN 12 bit, 0 - 32 V
- 8 x PWM OUT up to 4 kHz, up to 4 A, low side, with current measurement (4 x featuring timer feedback) alternative use as analog IN 12 bit, 0 - 5 V, 0 - 32 V or 4 x as digital timer IN\* (0.1 Hz - 20 kHz)
- 4 x digital OUT up to 4 A, low side, with current measurement alternative use as analog IN 12 bit, 0 - 5 V, 0 - 32 V
- 1 x emergency stop OUT\*, alternative use as analog IN 12 bit, 0 - 32 V
- Option to configure up to 4 x H-bridges for motor control\*
- 3 x status LED

#### Inputs

- 8 x analog IN 12 bit, 0 - 5 V, 0 - 25 mA, 0 - 100 kOhm, LED control\*
- 8 x digital timer IN (0.1 Hz - 20 kHz), encoder support, configurable pull-up/down, support for 7/14 mA current loop speed sensors alternative use as analog IN 12 bit, 0 - 32 V, 0 - 25 mA
- 4 x digital timer IN (0.1 Hz - 20 kHz), encoder support, configurable pull-up alternative use as analog IN 12 bit, 0 - 32 V or SENT interface
- 2 x emergency stop IN\*, alternative use as analog IN 12 bit, 0 - 32 V
- Terminal 15 and Wake-Up

#### Sensor supply

- 2 x sensor supply, 5 V, max. 750 mA
- 1 x sensor supply, 5 - 12 V, max 750mA, configurable by SW in 50mV steps

All inputs and outputs supporting analog IN can also be used as digital Input.

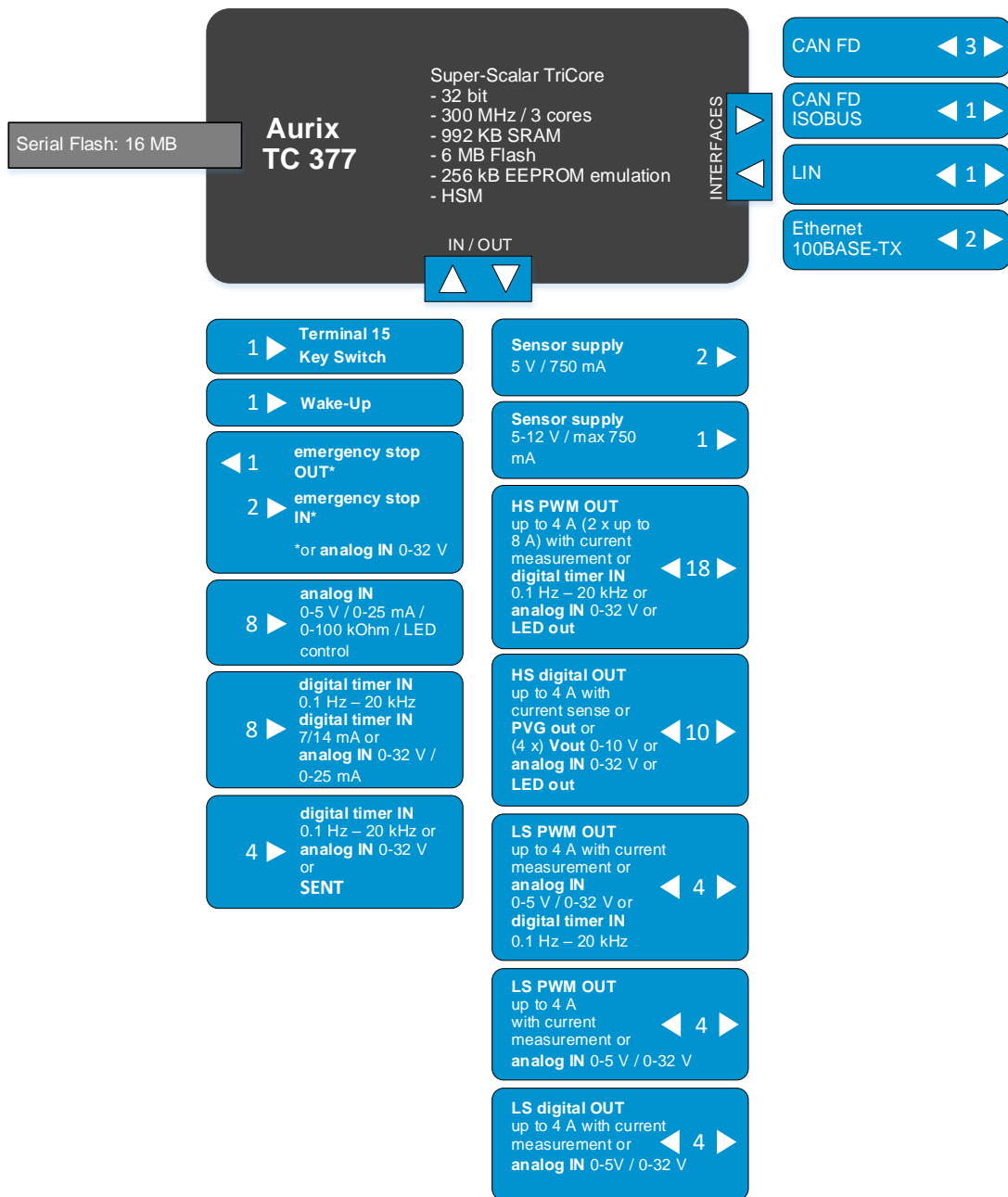
All I/Os and interfaces are protected against short circuit to GND and BAT+ and can be configured by software.

Board temperature, sensor supply, and supply voltage are monitored by software.

Two independent safety shut-off groups for output stages. For details on the standards, see the system manual.

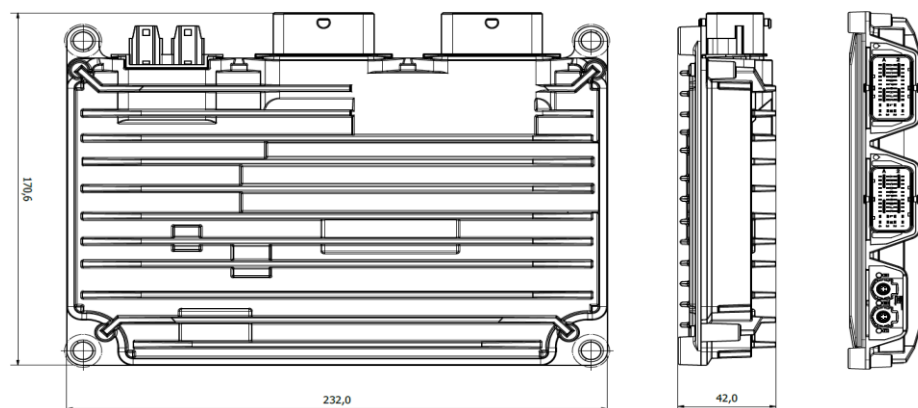
\* Upcoming feature

**Block diagram**



**Housing and connector**

Aluminium die-cast housing  
2 x 48-pin connectors  
1 x 2-slot HSD connector



For further information, including price and availability, please contact [products@ttcontrol.com](mailto:products@ttcontrol.com)

Subject to changes and corrections. TTC 2385 is a product name of TTControl GmbH. CODESYS® is a registered trademark of CODESYS GmbH. CANopen® and CiA® are registered community trademarks of CAN in Automation). All other trademarks are the property of their respective holders. To the extent possible under applicable law, TTControl hereby disclaims any and all liability for the content and use of this product flyer.