

Powerful Safety Electronic Control Unit – TTC 2390

General description

The robust and powerful TTC 2390 mid-sized electronic control solution is equipped with Infineon's TriCore™ Aurix™ TC 397 CPU to fulfill the demanding performance requirements of off-highway and automotive safety applications.

Protected by a compact and robust housing, the device is specially developed for vehicles and machines used in a rugged operating environment and at extreme operating temperatures. Due to the ISO 26262 ASIL C automotive safety certification, the device is also used in road vehicles.

Specifications

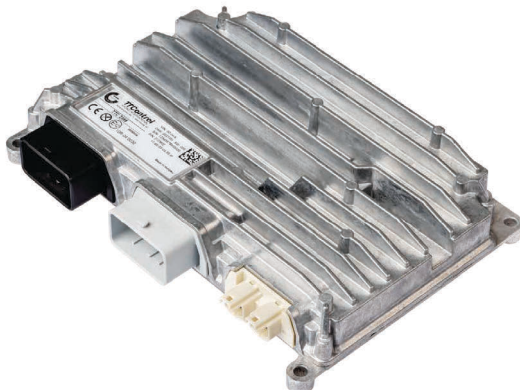
Parameter		Unit
ECU dimensions	170.6 x 232.0 x 42.0	mm
Dimensions for minimum connector release clearance	70.0 x 182.0 x 50.0	mm
Weight	1220	g
Connector	2 x 48-pin + 1 x 2-slot HSD	
Operating temperature	-40 to +85	°C
Operating altitude	0 to 4000	m
Supply voltage	8 to 32	V
Maximum supply current at 12 / 24V without load	200/130	mA
Maximum standby current	<1	mA
Maximum total load current	45	A

Standards

Functional safety	IEC 61508 SIL2 EN ISO 13849 PL d ISO 25119 AgPL d SRL2	ISO 26262 ASIL C ISO 19014 MPL d
CE-Mark	2014/30/EU 2006/42/EC	
E-Mark	ECE-R10 Rev.6	
FCC-Mark	47 CFR Part 15B, Class A	
EMC	EN 13766 ISO 14982 CISPR 25	IEC 61000-4-2/-3/-4/-5/-6/-8 IEC 61000-6-4
ESD	ISO 10605	
Electrical	ISO 16750-2 ISO 7637-2,-3	
Ingress protection	EN 60529 IP65 and IP67 ISO 20653 IP6k9k	
Climatic	ISO 16750-4	
Mechanical	ISO 16750-3	
ISOBUS	ISO 11783	

Software

- C Programming Environment with real-time operating system



Features

CPU core

- 32-Bit Infineon TriCore™ Aurix™ TC 397
- 6 cores (4 lockstep cores) running at 300 MHz and memory protection for safety-relevant applications
- Floating-Point Unit and Hardware Security Module
- 6.47 MB int. SRAM, 16 MB int. Flash
- 32 MB ext. Flash, 1 MB int. EEPROM emulation

Interfaces

- 4 x CAN FD 50 kbit/s up to 2 Mbit/s (1 x CAN with wake-up capability and 1 x CAN ISOBUS)
- 1 x CAN bus termination configurable via connector pins
- 2 x 100BASE-TX (internal configurable Ethernet switch)
- 4 x SENT with SPC support, 1 x LIN

Outputs

- 18 x PWM OUT up to 1 kHz or digital OUT, up to 4 A (2 x up to 8 A), high side, with current measurement alternative use as digital timer IN (0.1 Hz - 20 kHz), configurable pull-up in groups of 2 or analog IN 12 bit, 0 - 32 V or LED control OUT
- 10 x digital OUT up to 4 A, high side, current sense alternative use as PVG OUT, 10 - 90% of BAT+ or 4 x as voltage OUT 0 - 10 V or LED control OUT or analog IN 12 bit, 0 - 32 V
- 8 x PWM OUT up to 4 kHz, up to 4 A, low side, with current measurement (4 x featuring timer feedback) alternative use as analog IN 12 bit, 0 - 5 V, 0 - 32 V or 4 x as digital timer IN (0.1 Hz - 20 kHz)
- 4 x digital OUT up to 4 A, low side, with current measurement alternative use as analog IN 12 bit, 0 - 5 V, 0 - 32 V
- 1 x emergency stop OUT*, alternative use as analog IN 12 bit, 0 - 32 V
- Option to configure up to 4 x H-bridges for motor control*
- 3 x Status LED

Inputs

- 8 x analog IN 12 bit, 0 - 5 V, 0 - 25 mA, 0 - 100 kOhm, LED control
- 8 x digital timer IN (0.1 Hz - 20 kHz), encoder support, configurable pull-up/down, support for 7/14 mA current loop speed sensors alternative use as analog IN 12 bit, 0 - 32 V, 0 - 25 mA
- 4 x digital timer IN (0.1 Hz - 20 kHz), encoder support, configurable pull-up alternative use as analog IN 12 bit, 0 - 32 V or SENT interface
- 2 x emergency stop IN*, alternative use as analog IN 12 bit, 0 - 32 V
- Terminal 15 and Wake-Up pin

Sensor supply

- 2 x sensor supply, 5 V, max. 500 mA
- 1 x sensor supply, 5 - 12 V, max. 2.5 W, configurable by SW in 0.5 V steps

All inputs and outputs supporting analog IN can also be used as digital Input.

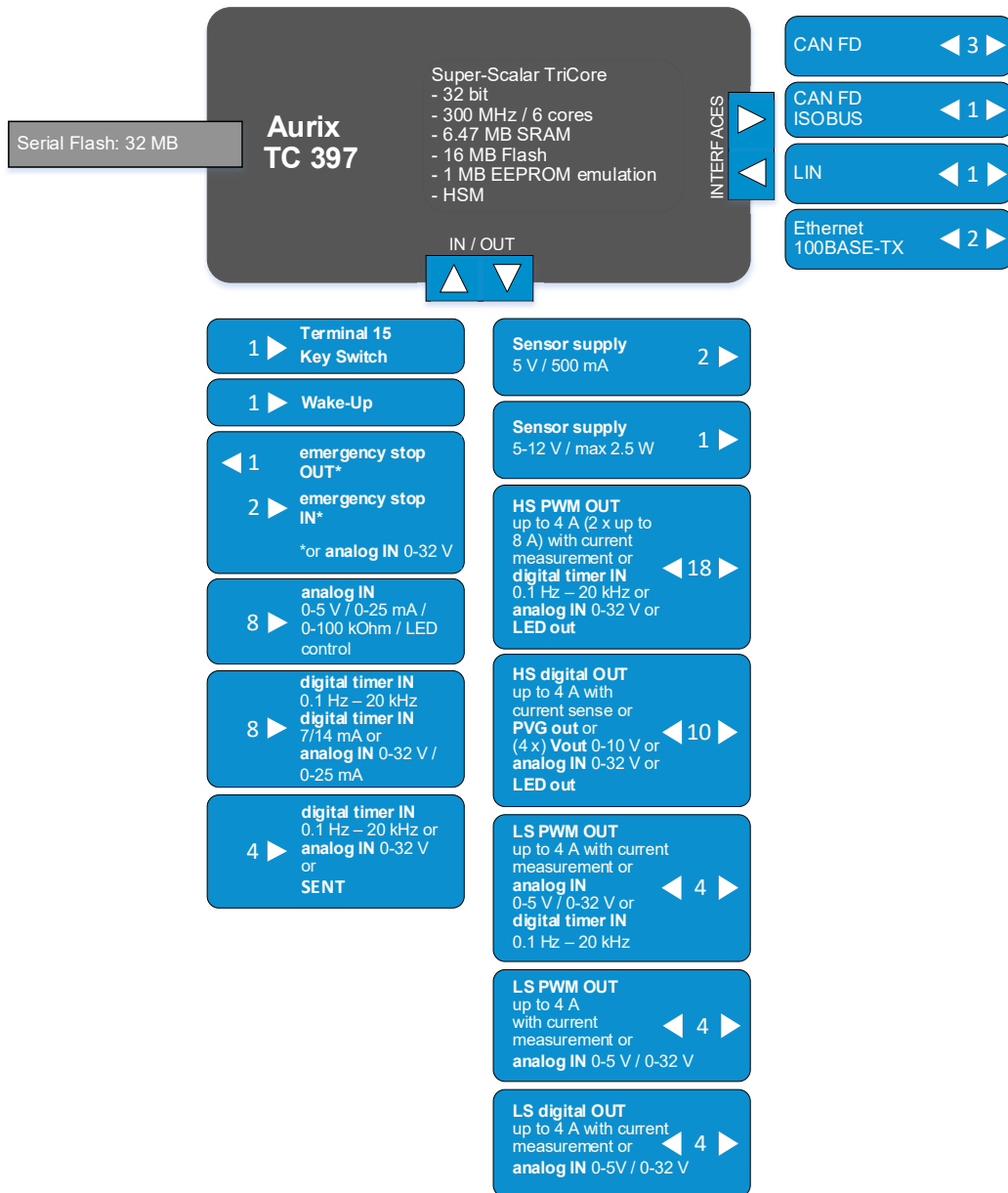
All I/Os and interfaces are protected against short circuit to GND and BAT+ and can be configured by software.

Board temperature, sensor supply, and supply voltage are monitored by software.

Two independent shut-off groups for output stages. For details on the standards, see the system manual.

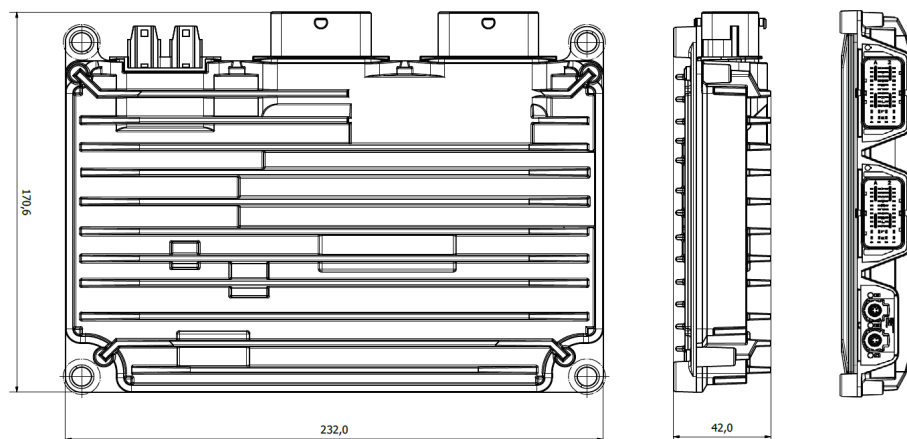
* upcoming feature

Block diagram



Housing and connector

- Aluminum die-cast housing
- 2 x 48-pin connectors
- 1 x 2-slot HSD connector



For further information, including price and availability, please contact products@ttcontrol.com

Subject to changes and corrections. TTC 2390 is a product name of TTControl GmbH. CODESYS is a trademark of 3S Smart Software Solutions GmbH. CANopen is a trademark of CAN in Automation (CiA). All other trademarks are the property of their respective holders. To the extent possible under applicable law TTControl hereby disclaims any and all liability for the content and use of this product flyer.