

Universal Off-Highway Control – HY-TTC 71

General Description

HY-TTC 71 is a powerful electronic control solution for off-highway industries with 12V power supply. Due to the highly optimized ratio between number of I/Os and the size of the controller, it can be mounted on machines with very little space. Its compact, automotive-style housing withstands extreme conditions such as humidity, vibrations, temperature changes and mechanical load.

Specifications

Parameter		Unit
ECU Dimensions	143,13 x 216,32 x 42,77	mm
Dimensions for minimum connector release clearance	197,7 x 216,32 x 42,77	mm
Weight	590	g
Operating Temperature	-40 to +85 (at full load) -40 to +105 (at part load)	°C
Operating Altitude	0 to 4000	m
Supply Voltage	7 to 16	V
Peak Voltage	28	V _{max}
Standby Current	0.5	mA _{max}
Idle Current	0.15 at 9V	A _{max}
Current	35	A _{max}

Fulfills the following standards

CE-Mark	2014/30/EU
E- Mark	ECE-R10 Rev.4
EMC	EN 13309 ISO 14982 CISPR 25
ESD	ISO 10605
Electrical	ISO 16750-2 Starting profile, Level II (4,5 V), functional status A ISO 7637-2,-3
Ingress Protection	EN 60529 IP67 ISO 20653 IP6k9k
Climatic	ISO 16750-4
Mechanical	ISO 16750-3



Features

All I/Os and interfaces mentioned below are protected against short circuit to GND and BAT+.

CPU Core

- 16/32-bit Infineon XC2288 safety microcontroller, 80 MHz, 1.6 MB int. Flash, 138kB int. RAM
- 32kB ext. EEPROM

Interface

- 1 x CAN, 125 kbit/s up to 1 Mbit/s
Optional CAN termination via 2 connector pins

Outputs

- 6 x digital OUT, up to 2,5 A, high side with freewheeling diode for higher inductive loads
- 12 x digital OUT, up to 2,5 A, high side for individual outputs

Inputs

- 10 x analog IN, 0 to 15V Pull-Up in digital IN mode
- 10 x analog IN, 0 to 15V Pull-Down in digital IN mode
- 1 x digital timer IN (0.1 Hz to 10kHz) low side, with voltage measurement
- 2 x analog IN, 0 to 5 V
- 1 x analog IN, configurable in software
0 - 5V 0 - 25 mA
0 - 65 kOhm digital IN low side
- 1 x analog IN, 0 – 25 mA

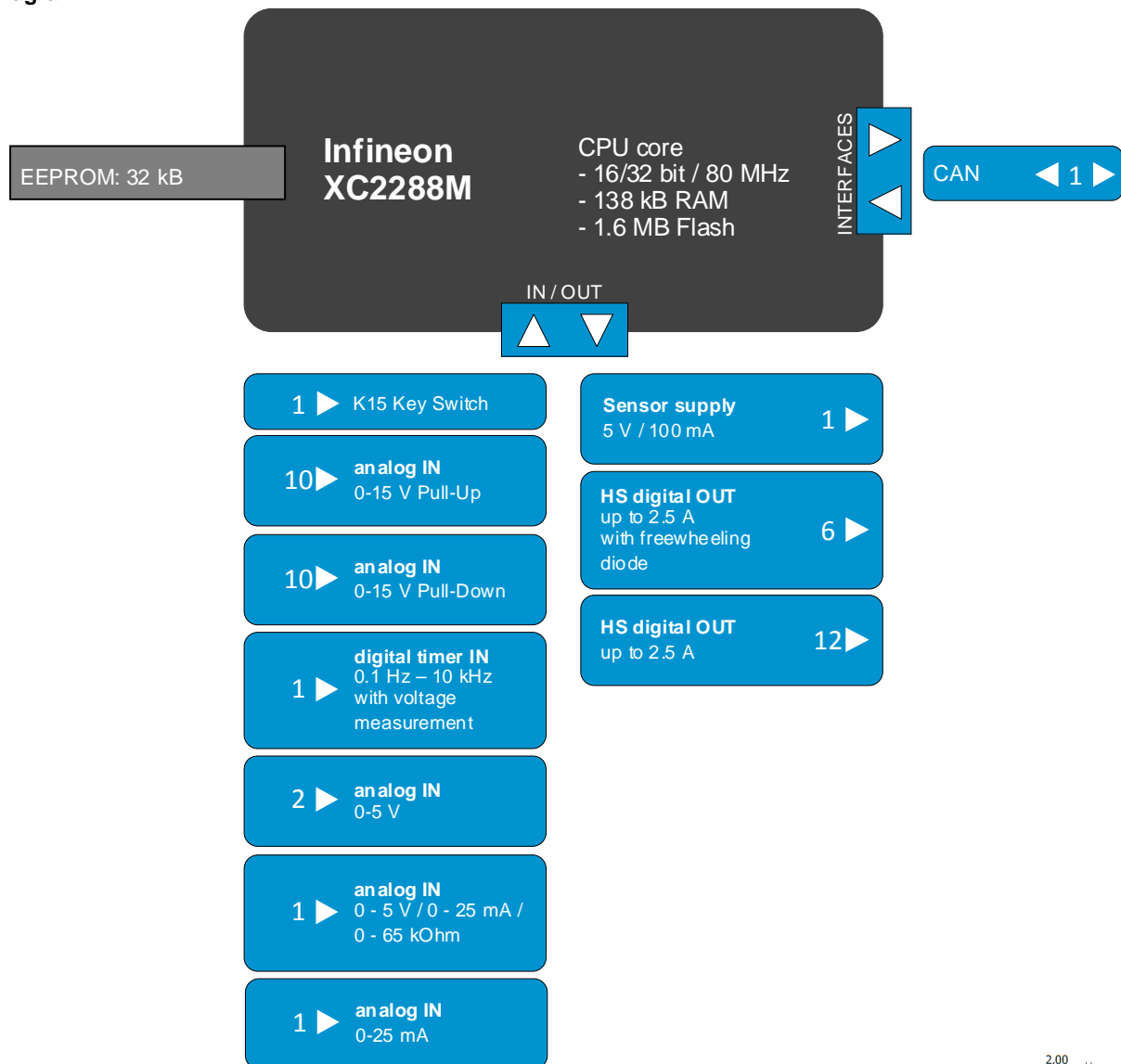
Other

- Internal: monitoring of board temperature, sensor supply and battery
- 1 x sensor supply 5 V, 100mA
- 3 x analog sensor ground
- 1 x digital sensor ground

Software

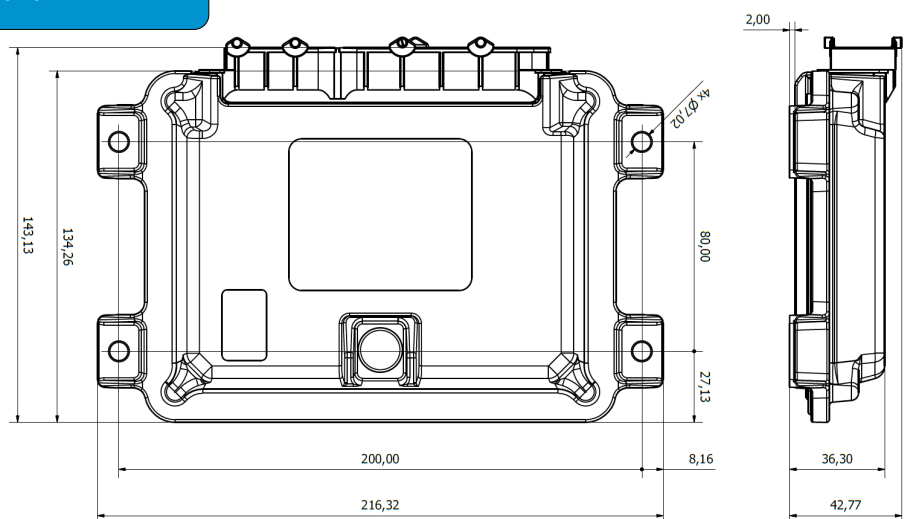
- Programming: C

Block Diagram



Housing and Connector

- Aluminum pressure die-cast housing
- Water-proof 80-pin connector
- Pressure adjusting with water barrier



For further information, including price and availability, please contact products@ttcontrol.com

Subject to changes and corrections. HY-TTC 71 is a product name of TTControl GmbH. Trademarks are the property of their respective holders. To the extent possible under applicable law TTControl hereby disclaims any and all liability for the content and use of this product flyer.